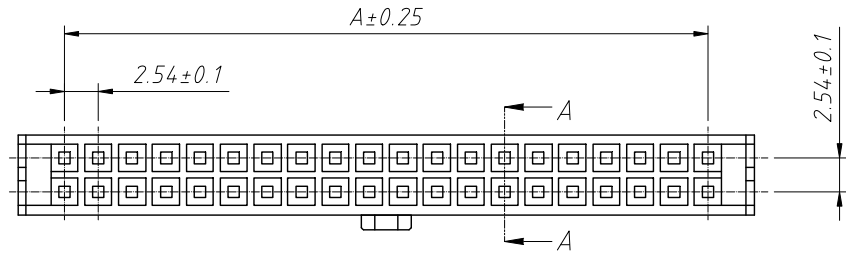
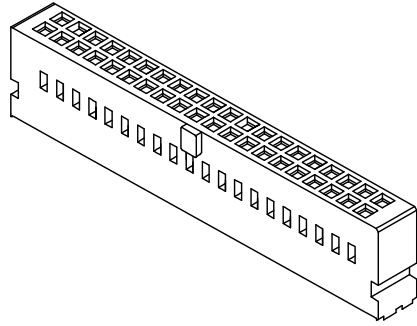


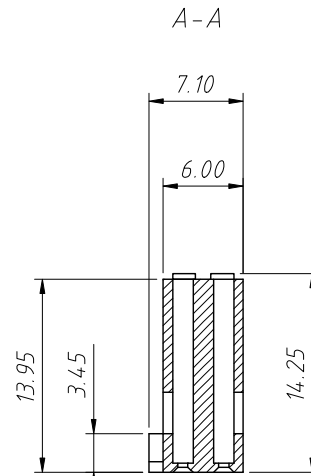
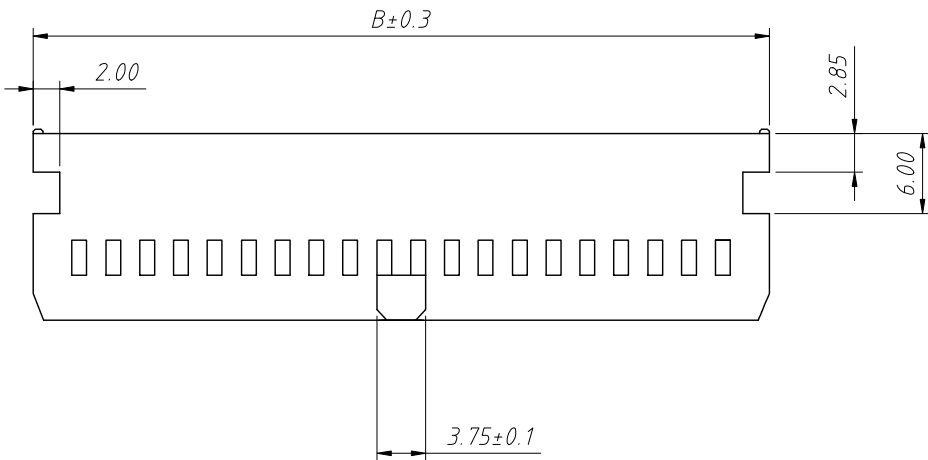
1 RoHS Compliance



Pin	Dimensions(mm)		Pin	Dimensions(mm)	
	A	B		A	B
2×02	2.54	9.48	2×18	43.18	50.12
2×03	5.08	12.02	2×19	45.72	52.66
2×04	7.62	14.56	2×20	48.26	55.20
2×05	10.16	17.10	2×21	50.80	57.74
2×06	12.70	19.64	2×22	53.34	60.28
2×07	15.24	22.18	2×23	55.88	62.32
2×08	17.78	24.72	2×24	58.42	65.36
2×09	20.32	27.26	2×25	60.96	67.90
2×10	22.86	29.80	2×26	63.50	70.44
2×11	25.40	32.34	2×27	66.04	72.98
2×12	27.94	34.88	2×28	68.58	75.52
2×13	30.48	37.42	2×29	71.12	78.06
2×14	32.02	39.96	2×30	73.66	80.60
2×15	35.56	42.50	2×31	76.20	83.14
2×16	38.10	45.04	2×32	78.74	85.68
2×17	40.64	47.58			

Material:
Housing:PBT,UL 94 V-0

Electrical Characteristics:
Rated Current:3.0AMP
Voltage rating:250V AC,DC
Temperature range:-25°C ~ + 85°C
Insulator Resistance:1000MΩ Min
Withstanding Voltage:1500V AC/minute
Contact Resistance:20mΩ Max



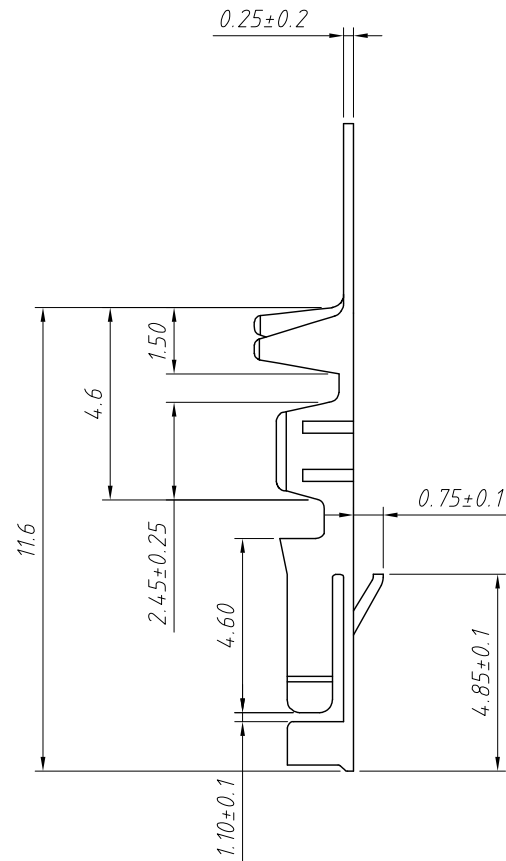
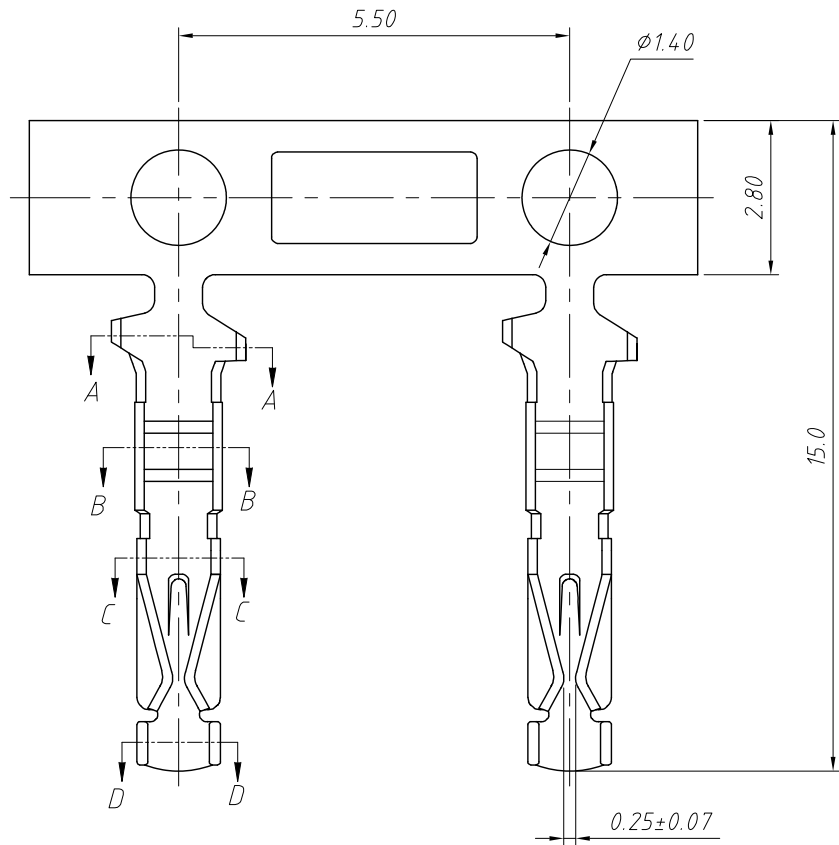
Order Information:
L-KLS1-XL1-2.54-XX-H
L: RoHS
Pitch:2.54mm
XX-No. of 02 ~ 32pins
Type: _____
T-Terminal H-Hosing

ANGLE TOLERANCE	PROJECTION	Description:	2.54mm pitch HRS2.54
±3°			Wire To Board Connectors
GENERAL TOLERANCE	UNITS	mm	KLS P/N:
x.x ±0.30	SHEET SIZE	A4	L-KLS1-XL1-2.54-XX-H
x.xx ±0.20	Draw:	Daniel	2021-01-11
x.xxx ±0.10	Check:	Daniel	2021-01-11



NingBo KLS ELECTRONIC CO.,L.TD.

1 RoHS Compliance

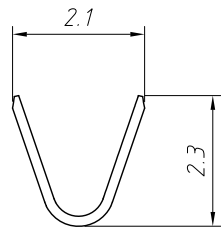


Material:
 Terminal: Phosphor Bronze
 Plating: Tin plated over Nickel
 Applicable wires: AWG #22 ~ #28
 Insulation O.D.: 1.6mm
 Qty/reel: 10000 pcs

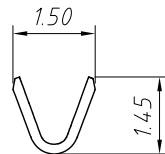
Electrical Characteristics:
 Rated Current: 3.0AMP
 Voltage rating: 250V AC, DC
 Temperature range: -25°C ~ +85°C
 Insulator Resistance: 1000MΩ Min
 Withstanding Voltage: 1500V AC/minute
 Contact Resistance: 20mΩ Max

Order Information:
 L-KLS1-XL1-2.54-T

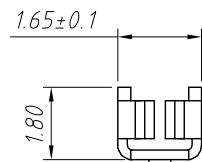
 L: RoHS
 Pitch: 2.54mm
 Type: _____
 T-Terminal H-Hosing



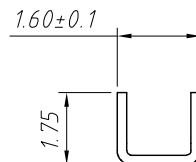
A-A



B-B



C-C



D-D

ANGLE TOLERANCE	PROJECTION	Description:	2.54mm pitch HRS2.54
±3°			Wire To Board Connectors
GENERAL TOLERANCE	UNITS	mm	KLS P/N: L-KLS1-XL1-2.54-T
x.x ±0.30	SHEET SIZE	A4	NingBo KLS ELECTRONIC CO.,L TD.
x.xx ±0.20	Draw:	Daniel 2021-01-11	
x.xxx ±0.10	Check:	Daniel 2021-01-11	