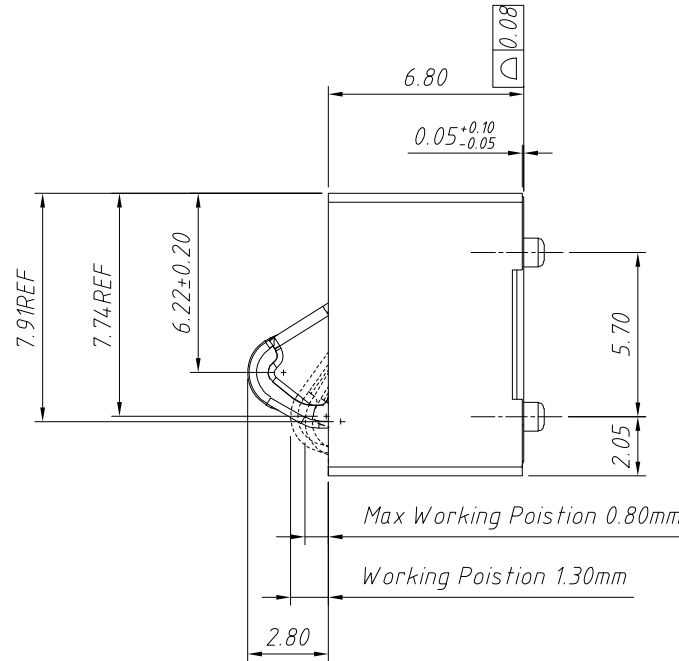
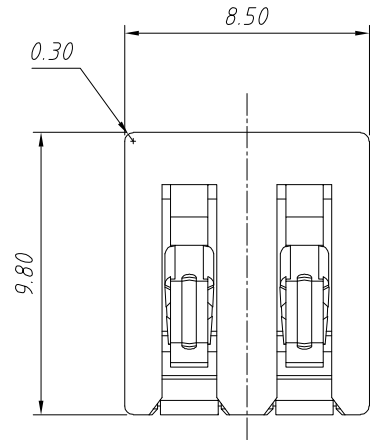
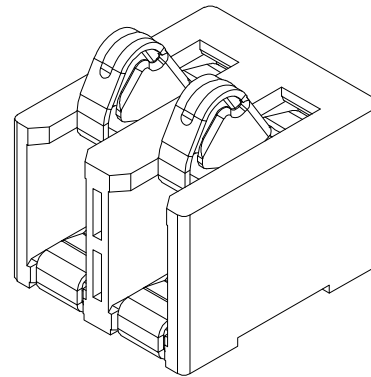
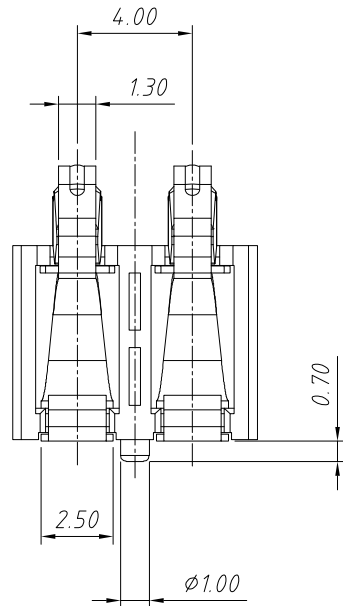
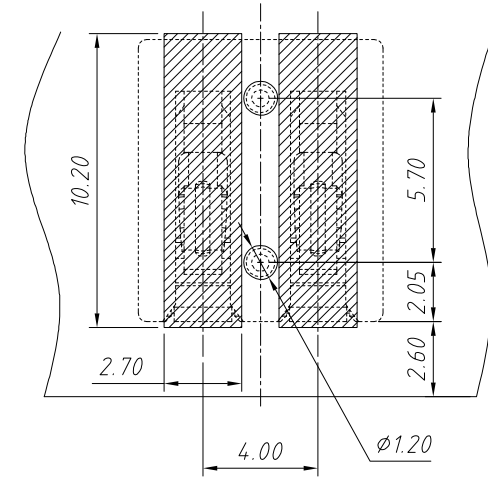


1 RoHS Compliance



Recommended P.C.B Layout Top View
Tolerances Unless Otherwise Spec±0.05

Pad Area



Material:

Housing:High Temperature Thermoplastic NY-10T,UL 94V-0, Black Color

Terminal:Copper Alloy,1u" Au plating on all area.50u" Nickel Under plating over all

Electrical Characteristics:

Voltage rating:12V

Current rating:2.0A

Withstand voltage:500V

Contact Resistance:50mΩ Max

Insulator Resistance:1000MΩ Min

Operating Temperature:-20°C ~ +60°C

Life:5000 Cycles above

ANGLE TOLERANCE	PROJECTION	Description:
±3°		6.8H 2Pin Battery 4.0 Pitch
GENERAL TOLERANCE	UNITS	mm
x.x ±0.30	SHEET SIZE	A4
x.xx ±0.20	Draw:	Daniel 2020-11-11
x.xxx ±0.10	Check:	Daniel 2020-11-11

L-KLS1-PBC02-W

NingBo KLS ELECTRONIC CO.,L TD.