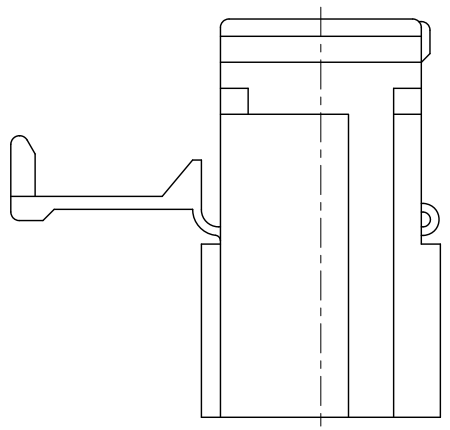
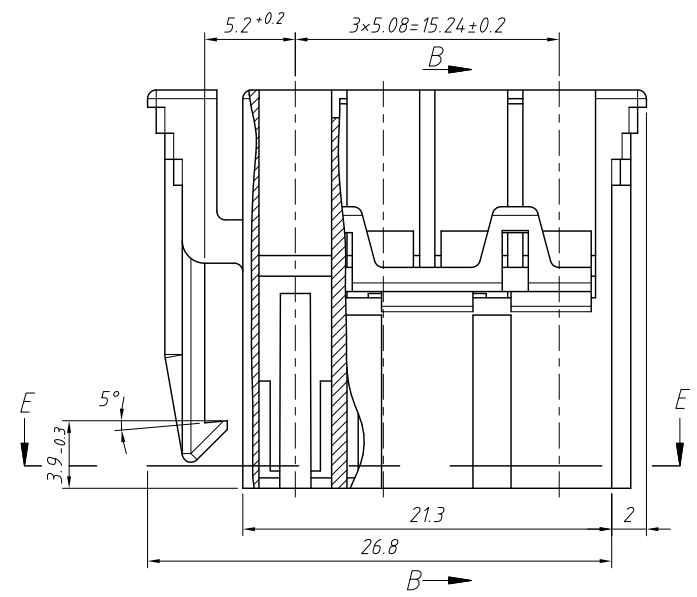


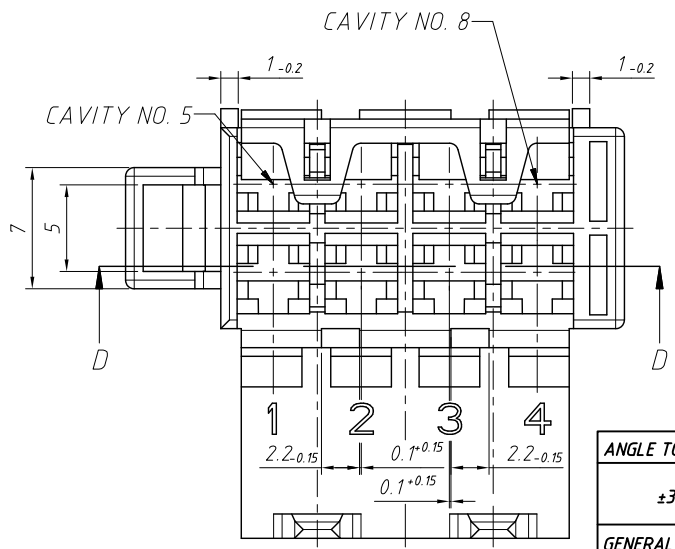
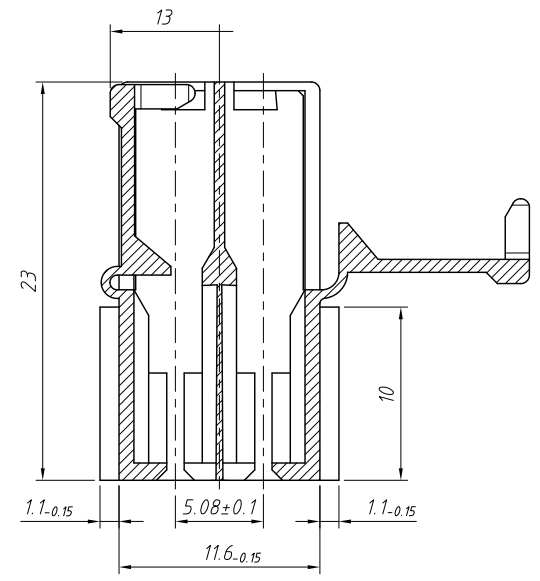
1
RoHS Compliance



Section D-D



Section B-B



CODINGS/4 FACH KODIERUNG (SCALE/ M1:1) SECTION/ SCHNITT E-E

	927368-1	F	D	BROWN	8POS. HSG FOR JUNIOR TIMER CONTACT	4
	927367-1	E	C	RED	8POS. HSG FOR JUNIOR TIMER CONTACT	3
	927366-1	F	B	YELLOW	8POS. HSG FOR JUNIOR TIMER KONTAKT	2
	927365-1	E	A	NATURE	8POS. HSG FOR JUNIOR TIMER CONTACT	1
CODING	ORDER-NO.	REV.	CODING	COLOUR	DESCRIPTION	ITEM

NOTES

1 ONLY FOR WIRE UP TO $\ln \sim 3\text{mm}$ INSULATION DIAMETER

2 MATING PART:

2.8mm TAB HOUSING (SEE DRAWING 969191)

ANGLE TOLERANCE	PROJECTION	Description:				
$\pm 3^\circ$		Automotive connector 8P Housings				
GENERAL TOLERANCE	UNITS	mm	KLS P/N:	L-KLS1-QC		
x.x ± 0.30	SHEET SIZE	A4		NingBo KLS ELECTRONIC CO.,LTD.		
x.xx ± 0.20	Draw:	Daniel	2018-07-10			
x.xxx ± 0.10	Check:	Daniel	2018-07-10			