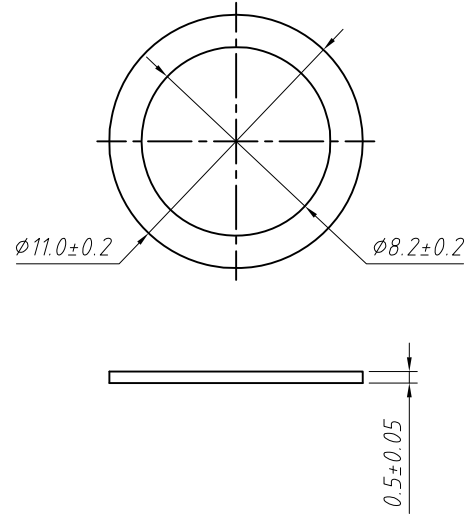
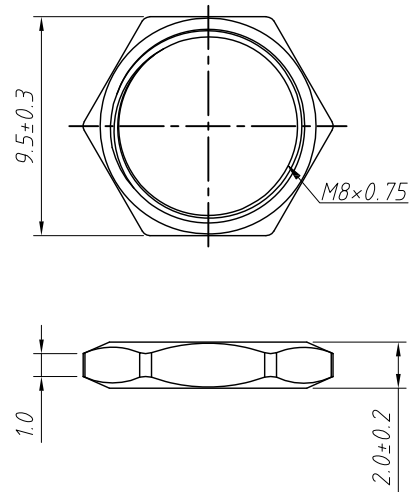
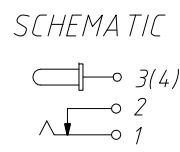



PIN	∅2.0	∅2.5
APPD		



NO.	Description	QTY	Material	Plating
1	Spring	1	Bronze	Sn-Plating
2	Curve Piece	1	Brass	Sn-Plating
3	Flag Piece	1	Brass	Sn-Plating
4	PIN	1	Brass	Ni-Plating
5	Axis Support	1	Brass	Ni-Plating
6	Housing	1	PBT	---
7	NUT	1	Brass	Ni-Plating
8	Split Washer	1	Iron	Ni-Plating

SPECIFICATION
 Rated Load:DC 30V 5A
 Contact resistance:30mΩ, max
 Insulation resistance:100MΩ, min
 Withstand Voltage:AC500V
 Actuating Force:3-20N
 Life:5000 cycles
 Operating Temperature:-30℃-70℃

GENERAL TOLERANCE	PROJECTION	Symbol	Description:
X. ±0.50	UNITS	mm	30V 5A DC Jack DIP
.X ±0.25	SCALE	1:1	
.XX ±0.10	Draw by:	Jenny	
ANGLE TOLERANCE	Check by:		KLS P/N: L-KLS1-MDC-025A
X. ±5°	Date	2019-03-01	 NingBo KLS ELECTRONIC CO.,L TD.
.X ±3°	SHEET	1 OF 1	
.XX ±2°			