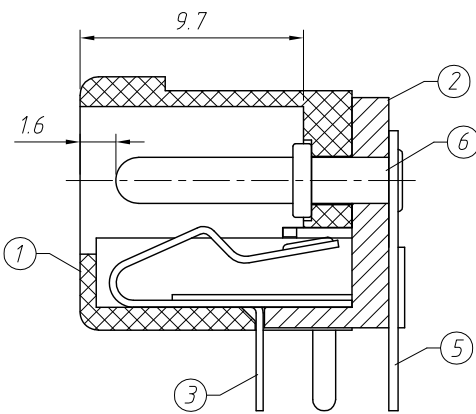
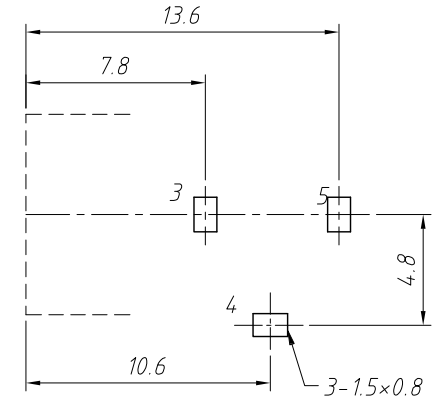
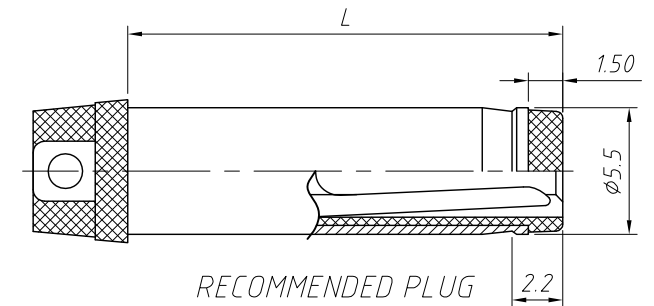


PCB Layout Top View



SPECIFICATION

Rated Load:DC 30V 3A
 Contact resistance:30mΩ, max
 Insulation resistance:100MΩ, min
 Withstand Voltage:AC500V
 Actuating Force:3-20N
 Life:5000 cycles
 Operating Temperature:-30°C-70°C

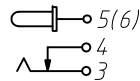


RECOMMENDED PLUG

NO.	Description	QTY	Material	Plating
1	Housing	1	PBT	---
2	Cover	1	PBT	---
3	Spring Piece	1	Bronze	Sn-Plating
4	Curve Piece	1	Brass	Sn-Plating
5	Flat Foot	1	Brass	Sn-Plating
6	PIN	1	Brass	Ni-Plating

PIN	∅2.0	∅2.5
APPD		

SCHEMATIC



GENERAL TOLERANCE	PROJECTION	Description:
X. ±0.50	UNITS	mm
.X ±0.25	SCALE	1:1
.XX ±0.10	Draw by:	Jenny
ANGLE TOLERANCE	Check by:	
X. ±5°	Date	2019-03-01
.X ±3°	SHEET	1 OF 1
.XX ±2°		

30V 3A DC Jack DIP

KLS P/N: L-KLS1-MDC-005B



NingBo KLS ELECTRONIC CO.,L TD.