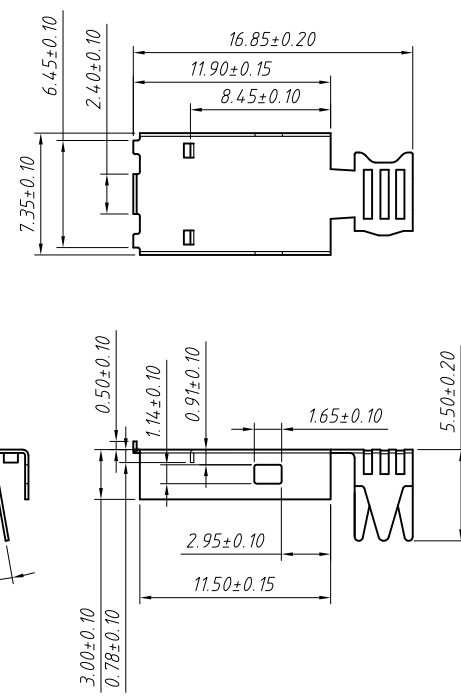
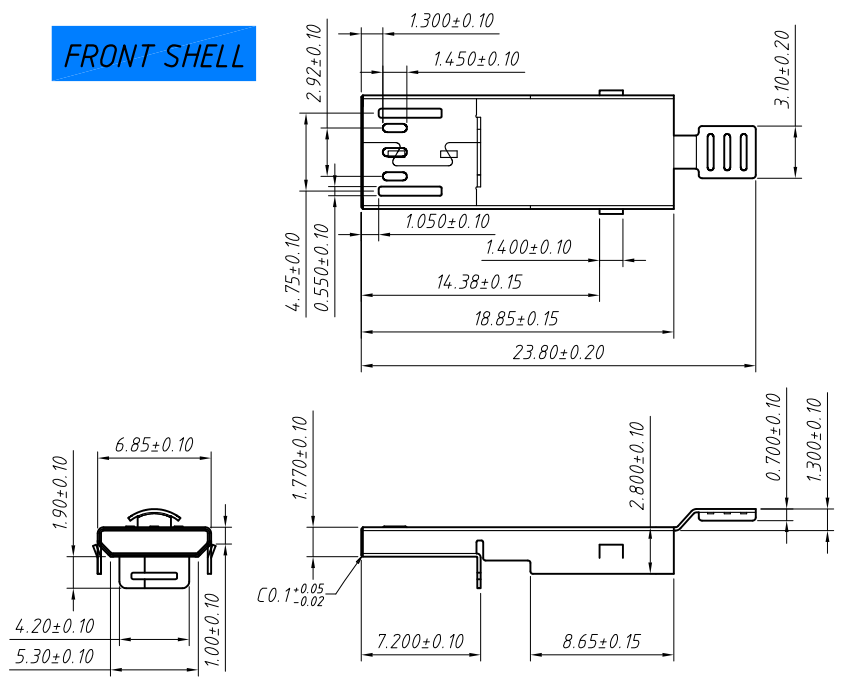


BACK SHELL



FRONT SHELL



Material:
 Housing: LCP, UL 94V-0 Black.
 Contact: Phosphor Bronze, T=0.20±0.01mm.
 Front Shell: Stainless Steel, T=0.20±0.01mm.
 Back Shell: Stainless Steel, T=0.20±0.01mm.
 Clasp: Stainless Steel, T=0.40±0.01mm.

Finishes:
 Contacts: Gold flashed, on Contact area.
 100u-120u" Tin Plating, on solder tails.
 50u-80u" Nickel, Underplating over all.

Electrical:
 Current Rating: 1A Max.
 Dielectric Withstanding Voltage:
 500 VAC far Minute.
 Contact Resistance: 30mΩ Max.
 Insulation Resistance: 1000MΩ Min at DC 500V.
 Temperature Range: -55°C TO +105°C.

GENERAL TOLERANCE	PROJECTION		Description:
X. ±0.50	UNITS	mm	CONN PLUG MICRO USB TYPE B Solder
.X ±0.25	SCALE	1:1	
.XX ±0.10	Draw by:	Jenny	
ANGLE TOLERANCE	Check by:		KLS P/N: L-KLS1-235-3
X. ±5°	Date	2018-03-01	NingBo KLS ELECTRONIC CO.,L TD.
.X ±3°	SHEET	1 OF 1	
.XX ±2°			