

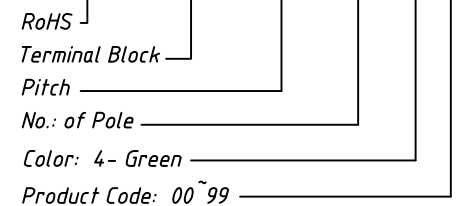
Material  
 Housing: PA66, UL94V-0  
 Pin header: Brass, Tin plated

Electrical  
 Rated voltage: 300V  
 Rated current: 15A  
 Contact Resistance: 20 mΩ  
 Insulation resistance: 500MΩ/DC500V  
 Withstand voltage: AC2000V / 1 min

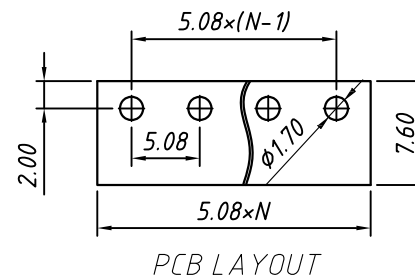
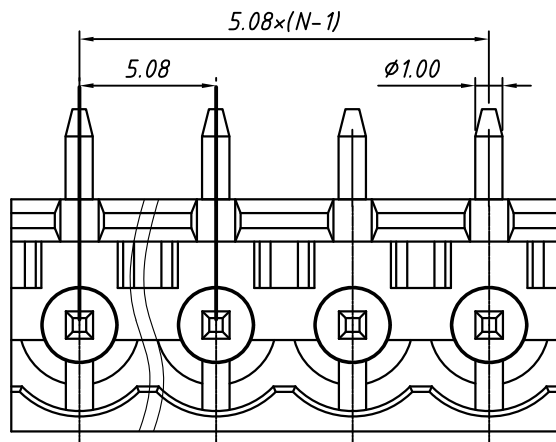
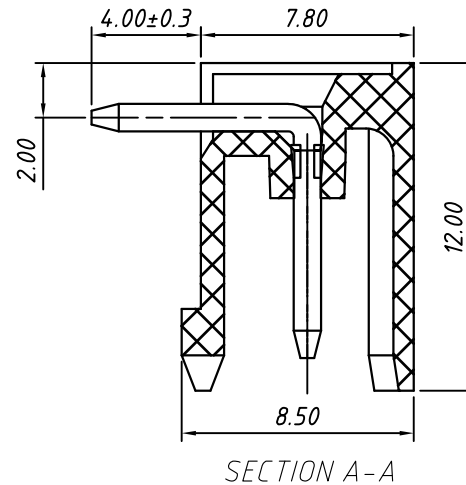
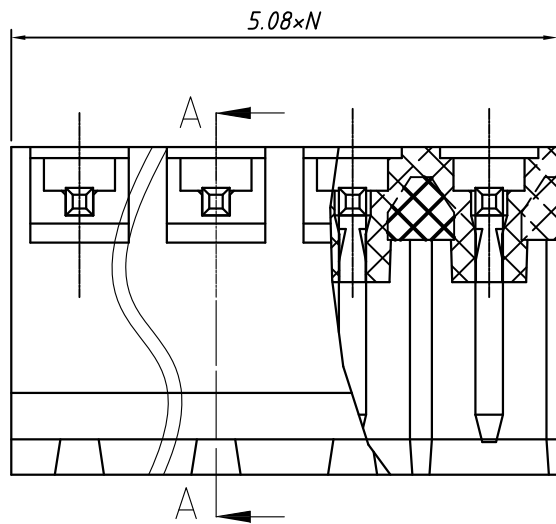
Mechanical  
 Temp. Range: -40 °C ~ +105 °C

Order Information

L-KLS2-EDRR-5.00-XXP-4 00



GENERAL TOLERANCE		ANGLE TOLERANCE		Description:	
X. ±0.60		X. ±5°		Pluggable Terminal Block 5.00MM	
.X ±0.38		.X ±3°		KLS P/N:	KLS2-EDRR-5.00-XXP-4-00
.XX ±0.25		.XX ±2°			
Draw by	2015-09-01	PROJECTION		NingBo KLS ELECTRONIC CO.,L TD.	
Check by	2015-09-15	UNITS	mm		
SCALE		SHEET SIZE	A4		



Material  
Housing: PA66, UL94V-0  
Pin header: Brass, Tin plated



Electrical  
Rated voltage: 300V  
Rated current: 15A  
Contact Resistance: 20 mΩ  
Insulation resistance: 500MΩ/DC500V  
Withstand voltage: AC2000V / 1 min

Mechanical  
Temp. Range: -40 °C ~ +105 °C

Order Information

L-KLS2-EDRR-5.08-XXP-4 00

RoHS  
Terminal Block  
Pitch  
No.: of Pole  
Color: 4- Green  
Product Code: 00 ~ 99

GENERAL TOLERANCE		ANGLE TOLERANCE		Description:	
X. ±0.60		X. ±5°		Pluggable Terminal Block 5.08MM	
.X ±0.38		.X ±3°		KLS P/N:	KLS2-EDRR-5.08-XXP-4-00
.XX ±0.25		.XX ±2°		 NingBo KLS ELECTRONIC CO.,L TD.	
Draw by	2015-09-01	PROJECTION			
Check by	2015-09-15	UNITS	mm		
SCALE		SHEET SIZE	A4		