

Stereo Jack Series

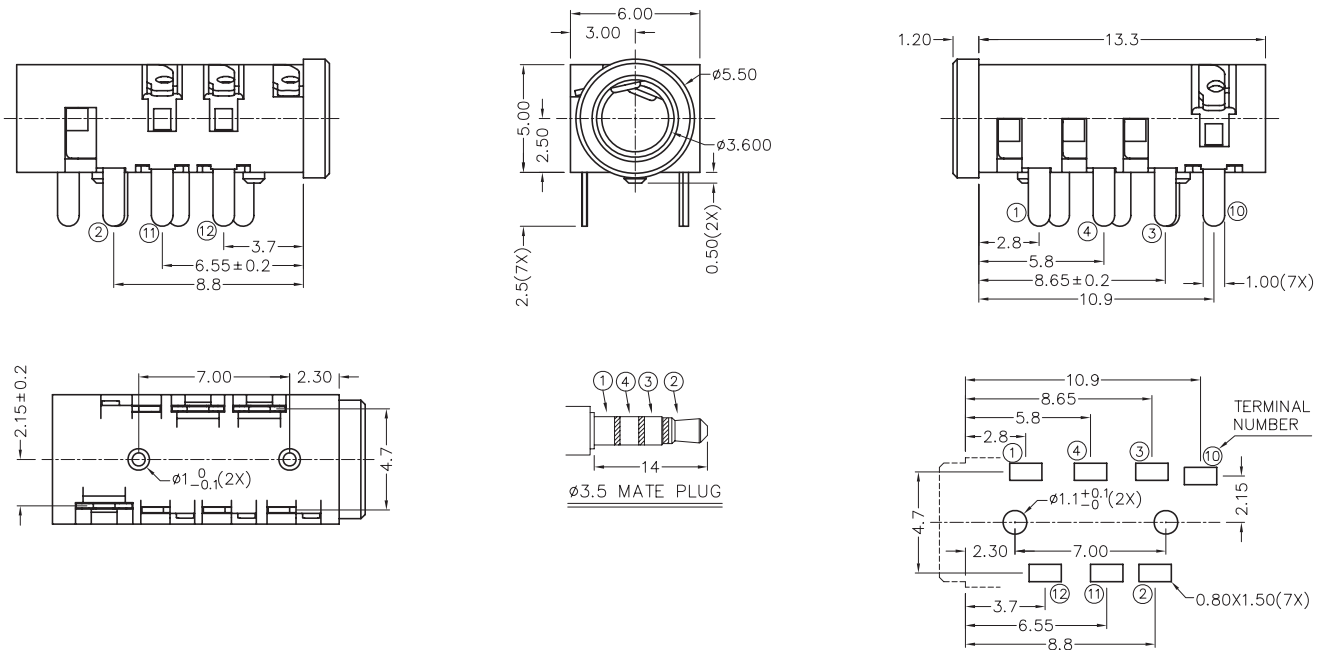
KLS1-SSJ3.5-005 (Dip Stereo Jack)

Technical parameters:

Rated voltage: DC 30 V
 Rated current: 0.5 A
 Contact resistance: 0.03Ω, max
 Insulation resistance: 100MΩ, min
 Pressure: AC500V (50Hz) / 1minute
 Insertion Force :2-20 N
 Life: 50000 times
 Operating Temperature:-30°C ~ 70°C

Material:

- Terminal 1 : Copper Alloy
- Terminal 2 : Copper Alloy
- Terminal 3 : Copper Alloy
- Terminal 4 : Copper Alloy
- Terminal 10 : Brass
- Terminal 11 : Brass
- Terminal 12 : Brass
- Housing : PA6T



MODEL NO.	SSJ3.5-005	SSJ3.5-005A	SSJ3.5-005B	SSJ3.5-005C	SSJ3.5-005D
SCHEMATIC					

ORDER INFORMATION

Product NO.: KLS1-SSJ3.5-005A

