

## Stereo Jack Series

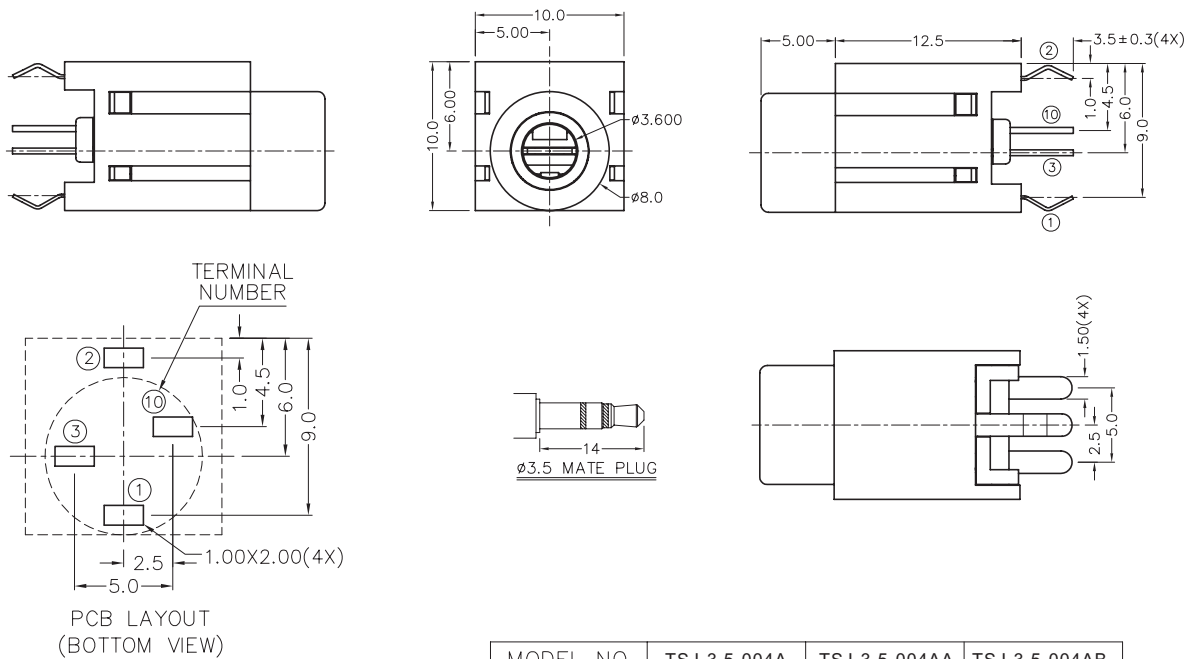
KLS1-TSJ3.5-004A (Dip Stereo Jack)

### Technical parameters:

Rated voltage: DC 30 V  
 Rated current: 0.5 A  
 Contact resistance: 0.03Ω, max  
 Insulation resistance: 100MΩ, min  
 Pressure: AC500V (50Hz) / 1minute  
 Insertion Force :2-20 N  
 Life: 50000 times  
 Operating Temperature:-30°C ~ 70°C

### Material:

Housing/Cover:PBT  
 Center Pin Material:  
 Terminal 1,2 : Copper Alloy  
 Terminal 3,10 : Brass



MODEL NO.	TSJ-3.5-004A	TSJ-3.5-004AA	TSJ-3.5-004AB
SCHMATIC			

## ORDER INFORMATION

Product NO.: KLS1-TSJ3.5-004AA

