

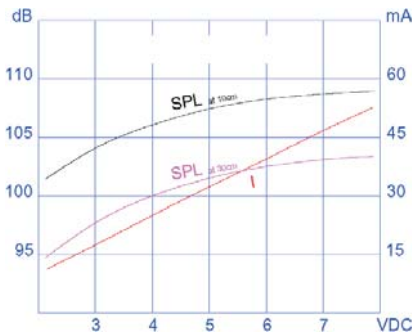
BUZZER

Mechanical Buzzer Series

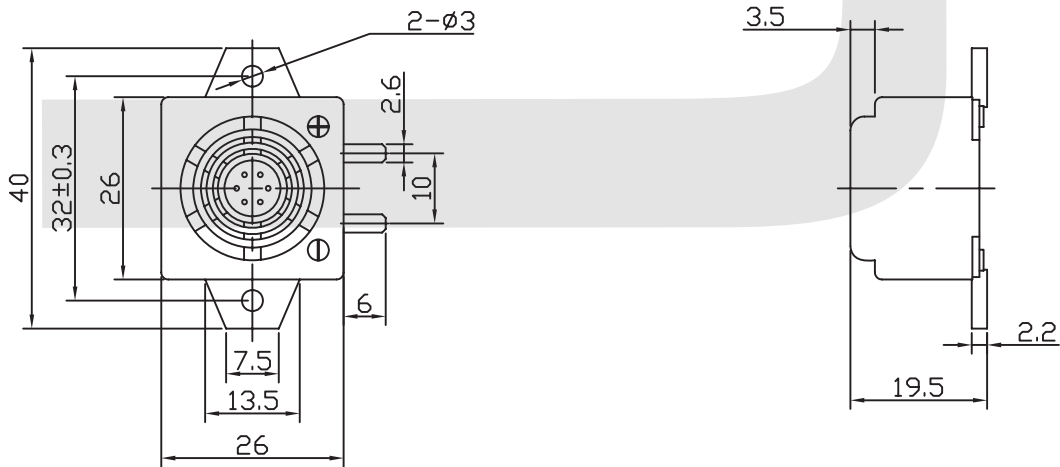
KLS3-MB-2619 26*19.5mm Mechanical Buzzer Series

SPECIFICATIONS

Rated Voltage	24VDC
Operating Voltage	4-28VDC
Max. Rated Current	55mA
Min. S.P.L. (@ 20cm)	95dB
Resonant Frequency	400 ± 100Hz
Operating Temp	-20 ~ +60 ° C
Weight	17g



Dimensions (Unit:mm)



Order Code	Rated Voltage	Min. S.P.L. (@20cm)	Operating Voltage
KLS3-MB-2619-A	6VDC	90dB	4-8
KLS3-MB-2619-B	12VDC	95dB	7-16
KLS3-MB-2619-C	24VDC	95dB	20-28

ORDER INFORMATION

Product NO.: KLS3-MB-2619 A

